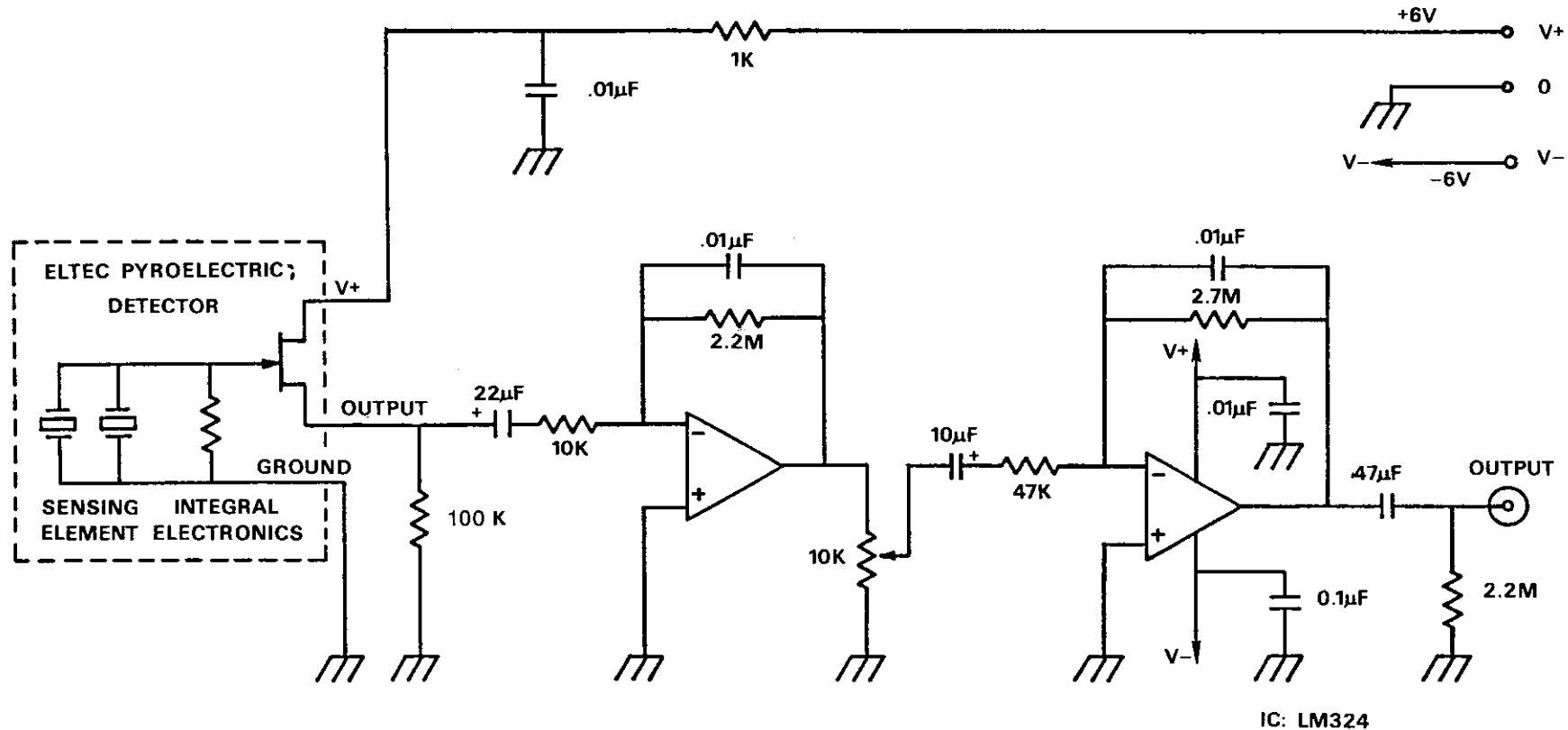


(TYP.) AMPLIFIER FOR DETECTORS



IC: LM324

ELTECdata #107

UNLESS OTHERWISE SPECIFIED		ELTEC INSTRUMENTS, INC. http://www.silverlight.ch			
DIMENSIONS ARE IN INCHES (MM)					
TOLERANCES		DATE:	APPR. BY:	RELEASED	REVISION:
DECIMAL	FRACTIONAL	SCALE:	DRAWN BY:		SHEET
.XX = ± .010	± 1/64	N/A	R.D.		OF
.XXX = ± .005	ANGULAR ± 1°				I I
FINISHED SURFACES RMS BREAK SHARP CORNERS		(TYP.) DETECTOR AMPLIFIER			
MATERIAL	CODE IDENT. NO.	SIZE	DRAWING NO		
		B	E-7800210		

