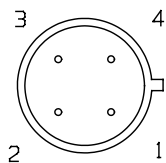
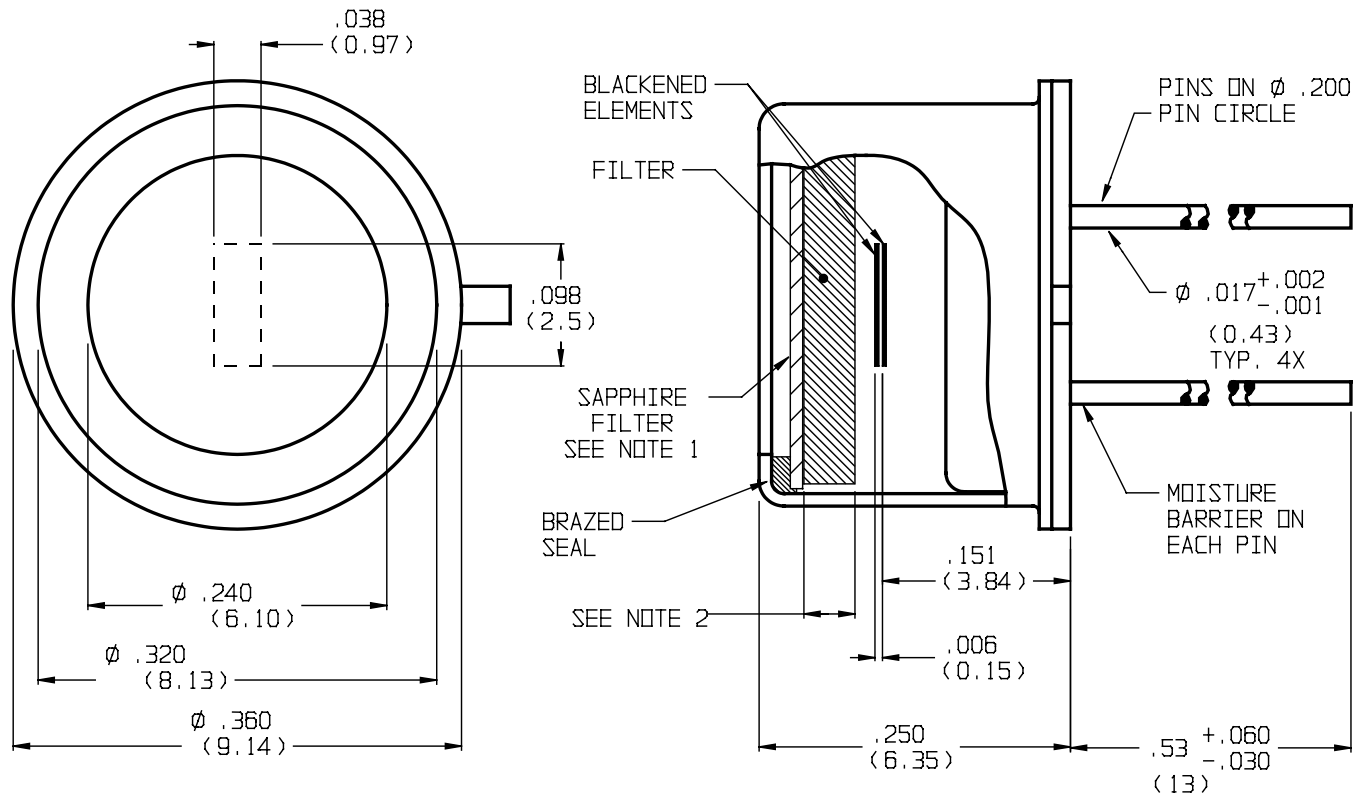


SIMPLIFIED CIRCUIT



BOTTOM VIEW
(NO SCALE)



NOTES:

1. SAPPHIRE FILTER AND CAN HAVE BRAZED SEAL.
2. FILTER THICKNESS DEPENDENT ON TYPE. THIS MODEL ACCOMMODATES FILTERS .010 MIN. TO .045 MAX. THICK.
3. OBSERVE PRECAUTIONS FOR HANDLING ELECTROSTATIC SENSITIVE DEVICES.

PIN	DESIGNATION
1	V +
2	OUTPUT
3	REF. OUT (2.5V)
4	CASE/GROUND

REV	ECN	DESCRIPTION	BY	DATE	CHK
A	1752	SHOW NEW TAB LENGTH	BLW	12-6-06	DD

NOTICE: ELTEC INSTRUMENTS, INC. CLAIMS PROPRIETARY RIGHTS IN THE INFORMATION DISCLOSED ON THIS DRAWING. IT IS ISSUED IN CONFIDENCE FOR ENGINEERING INFORMATION ONLY AND MAY NOT, IN WHOLE OR IN PART, BE USED TO MANUFACTURE ANYTHING WHETHER OR NOT SHOWN HEREON, REPRODUCED OR DISCLOSED TO ANYONE WITHOUT DIRECT WRITTEN PERMISSION FROM ELTEC INSTRUMENTS, INC.

UNLESS OTHERWISE SPECIFIED

DIMENSIONS ARE IN INCHES (MM)

TOLERANCES

DECIMAL	FRACTIONAL
.XX = +/- .010	+/- 1/64
.XXX = +/- .005	ANGULAR +/- 1°

BREAK SHARP CORNERS

ELTEC
Silverlight Ltd. Switzerland
Glärnischstr. 59, CH-8712 Stäfa
info@silverlight.ch www.eltec.ch

MODEL 446M10
THERMALLY COMPENSATED
IR DETECTOR

BLW	3-21-2000
LC	3-23-2000
LC	3-23-2000

REV.	DESCRIPTION	DATE	CHK
A	7800791		A