



441M34

DETECTOR SPECIFICATIONS DATA SHEET

January 25, 1990

MODEL: 441M34

DETECTOR TYPE: Single Element

ELEMENT SIZE: 2.5 mm x 2.5 mm

ELEMENT MATERIAL: Lithium Tantalate

OPTICAL BANDWIDTH: 0.1 to 1000 microns

RESPONSIVITY (TYP.): 260 V/W

NOISE (TYP.): 4.51 $\mu\text{Vrms}/\sqrt{\text{Hz}}$

NEP (TYP.): 1.74×10^{-8} W/ $\sqrt{\text{Hz}}$

D STAR (TYP.): 1.43×10^7 cm $\sqrt{\text{Hz/W}}$

CHARACTERISTICS AT: (with -1 Filter) 2.0 μm to 25.0 μm , 500°K, 10 Hz, 1 Hz BW, Rt = 25°C, V = + 8 V dc

OPERATING VOLTAGE (MIN. & MAX.): + 5 to 15 V dc

REFERENCE VOLTAGE (MIN. & MAX.): + 2.42 to 2.58 V dc (At a maximum load current of 100 μA .)

OFFSET VOLTAGE (MIN. & MAX.): + 2.00 to 3.00 V dc

CURRENT DRAW (MAX.): 2.2 mA

OUTPUT VOLTAGE (MAX): V+ Rail - 100 mV

RECOMMENDED OPERATING TEMPERATURE: 0 to +70 °C

STORAGE TEMPERATURE: -55 to +125 °C

FUNCTIONAL

Delta T < 50 C°/minute

OUTPUT POLARITY: Negative for a positive change

OUTPUT LOAD (MIN.): 10 KOhms

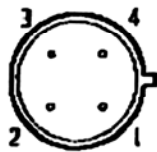
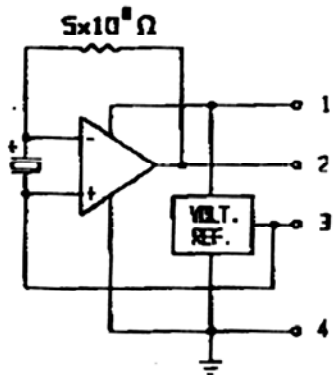
OUTPUT PROTECTION: Short circuit protected but DO NOT REVERSE SUPPLY VOLTAGES.

(Data is established on a sample basis and is believed to be representative.)

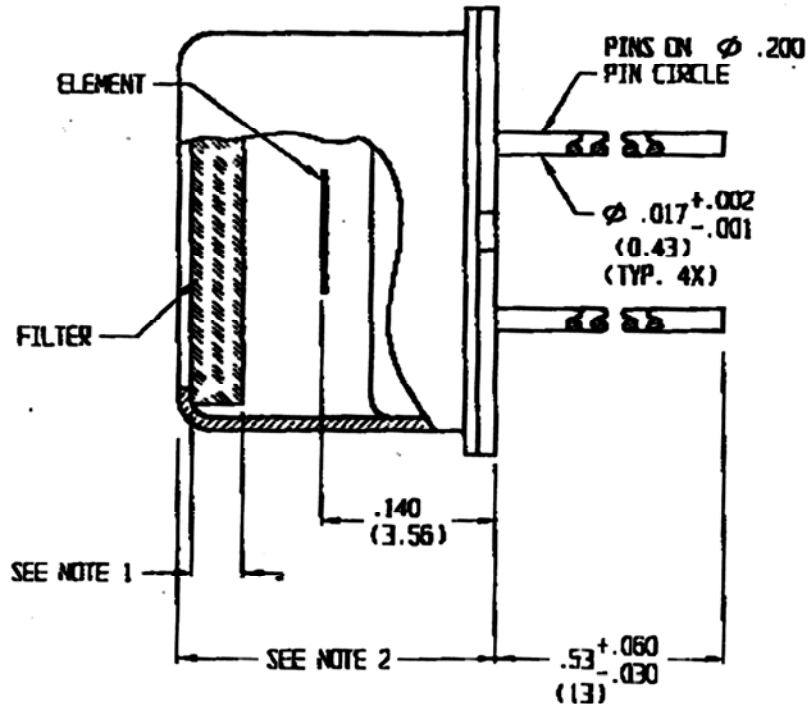
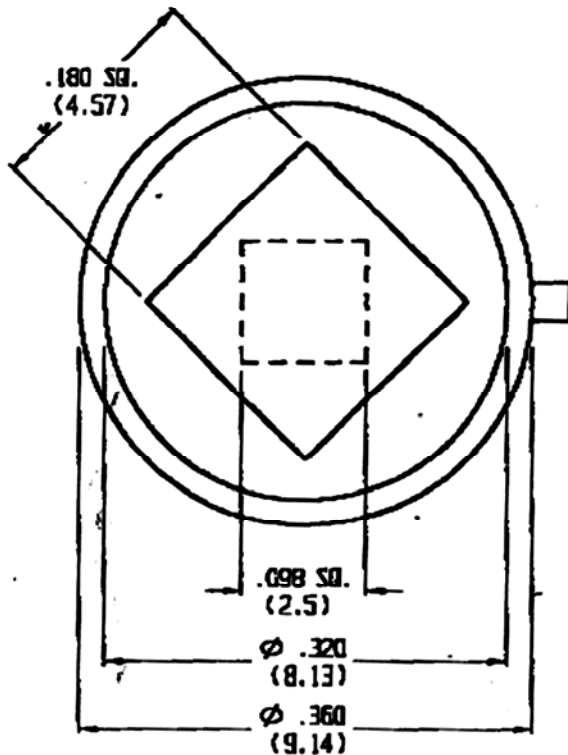
Silverlight Ltd. Glaernischstr. 59, CH-8712 Staefa, Switzerland
Tel. +41 44 926 4362 Fax +41 44 926 6131 <http://www.silverlight.ch>

OCT 03 2007

Revised October 3, 2007



BOTTOM VIEW
(NO SCALE)



NOTES:

1. FILTER THICKNESS DEPENDENT ON TYPE. THIS MODEL ACCOMMODATES FILTERS .010 MIN. TO .030 MAX. THICK.
2. OVERALL HEIGHT DEPENDENT ON THICKNESS OF FILTER AND HEIGHT OF CAN. WILL EITHER BE .190 (.010 - .030 THICK FILTERS) OR .250 (> .030 THICK FILTERS).
3. OBSERVE PRECAUTIONS FOR HANDLING ELECTROSTATIC SENSITIVE DEVICES.

PIN	DESIGNATION
1	V+
2	OUTPUT
3	2.5V REF.
4	CASE/GROUND

NOTICE: ELTEC INSTRUMENTS, INC. CLAIMS PROPRIETARY RIGHTS IN THE INFORMATION DISCLOSED ON THIS DRAWING. IT IS ISSUED IN CONFIDENCE FOR ENGINEERING INFORMATION ONLY AND MAY NOT, IN WHOLE OR IN PART, BE USED TO MANUFACTURE ANYTHING WHETHER OR NOT SHOWN HEREON, REPRODUCED OR DISCLOSED TO ANYONE WITHOUT DIRECT WRITTEN PERMISSION FROM ELTEC INSTRUMENTS, INC.

UNLESS OTHERWISE SPECIFIED

DIMENSIONS ARE IN INCHES (MM)

TOLERANCES

DECIMAL	FRACTIONAL
.XX = +/- .010	+/- 1/64
.XXX = +/- .005	ANGULAR +/- 1°

BREAK SHARP CORNERS

SILVERLIGHT LTD
Glärnischstr. 59
CH - 8712 Stäfa Switzerland
Tel: +41 44 926 43 62
Fax: +41 44 926 61 31
<http://www.silverlight.ch>
info@silverlight.ch

DRAWN BY	RO	6-15-99
CHECKED BY	<i>[Signature]</i>	6-16-99
APPROVED BY	LC	6-16-99

TITLE:

MODEL 441 M34
SINGLE ELEMENT FULLY INTEGRATED DETECTOR

SIZE	ING. NO.	REV.
A	7800769	
FILE: 7800769.PRT	SCALE: 6.5/1	SHEET 1 OF 1