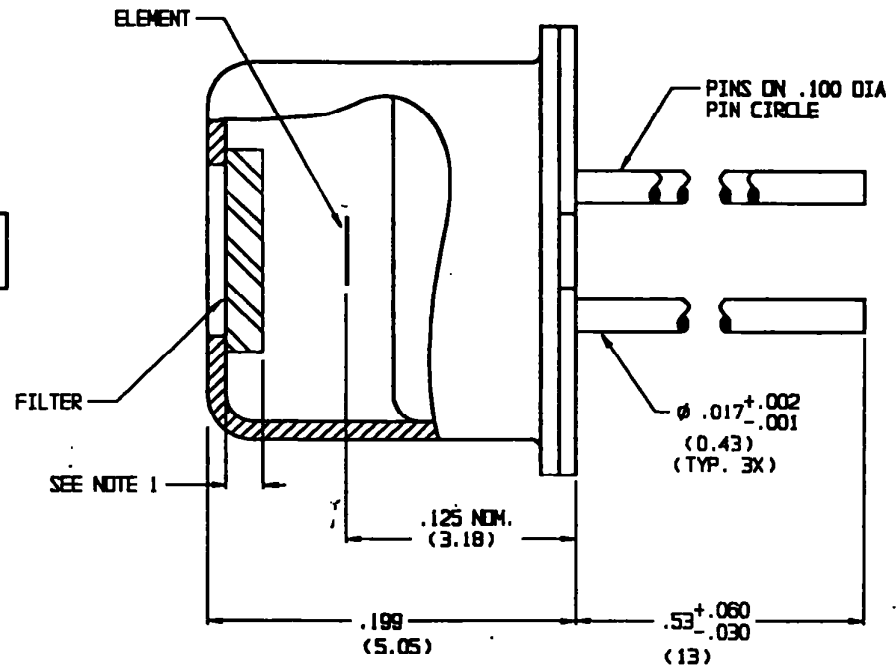
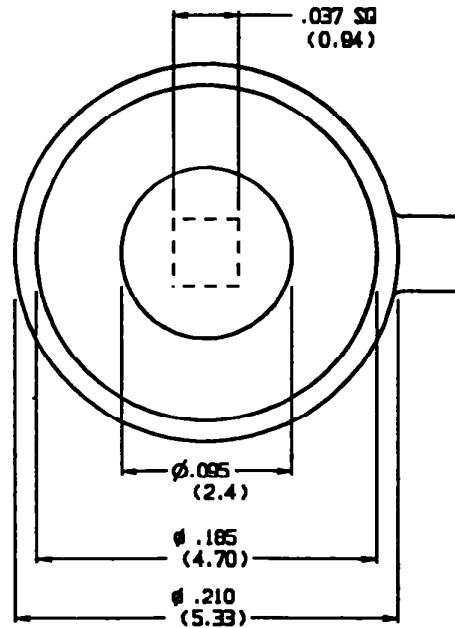


BOTTOM VIEW
(NO SCALE)



NOTES:

1. FILTER THICKNESS DEPENDENT ON TYPE. THIS MODEL ACCOMMODATES FILTERS .010 MIN. TO .050 MAX. THICK.
2. OBSERVE PRECAUTIONS FOR HANDLING ELECTROSTATIC SENSITIVE DEVICES.

PIN	DESIGNATION
1	OUTPUT
2	NC
3	OUTPUT-/ CASE

NOTICE: ELTEC INSTRUMENTS, INC. CLAIMS PROPRIETARY RIGHTS IN THE INFORMATION DISCLOSED ON THIS DRAWING. IT IS ISSUED IN CONFIDENCE FOR ENGINEERING INFORMATION ONLY AND MAY NOT, IN WHOLE OR IN PART, BE USED TO MANUFACTURE ANYTHING WHETHER OR NOT SHOWN HEREON, REPRODUCED OR DISCLOSED TO ANYONE WITHOUT DIRECT WRITTEN PERMISSION FROM ELTEC INSTRUMENTS, INC.

UNLESS OTHERWISE SPECIFIED		ELTEC INSTRUMENTS, INC. SILVERLIGHT LTD. GLÄRNISCHSTR. 59 CH - 8712 STÄFA SWITZERLAND		TITLE: MODEL 420M14	
DIMENSIONS ARE IN INCHES (MM)				SINGLE ELEMENT PYROELECTRIC IR DETECTOR WITH HEAT SINK	
TOLERANCES		MATERIAL		SIZE	DRG. NO.
DECIMAL	FRACTIONAL	FINISH		A	7800898
.XX = +/- .010	+/- 1/64	DRAWN BY	ELW	8-31-06	REV.
.XXX = +/- .005	ANGULAR	CHECKED BY	LW	9-5-06	
BREAK SHARP CORNERS		APPROVED BY	[Signature]	9-11-06	
		FILE: 7800898.000	SCALE: 10/1	SHEET 1 OF 1	