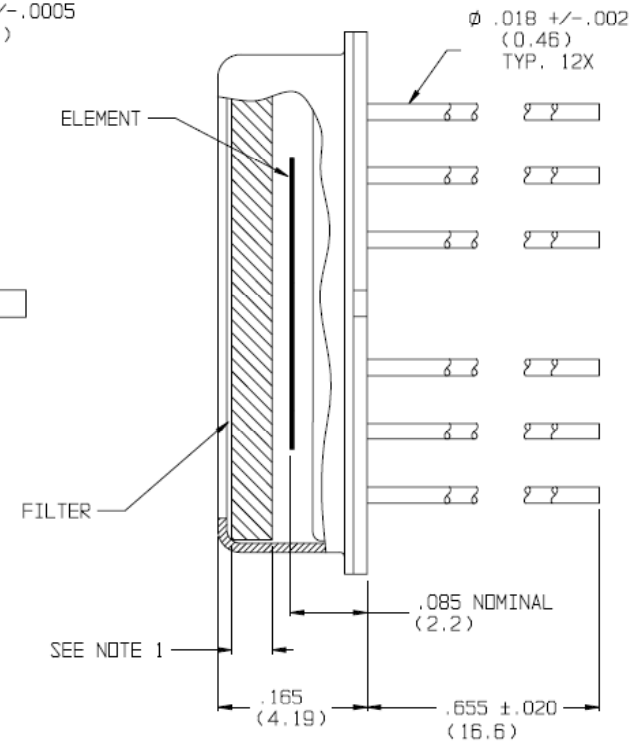
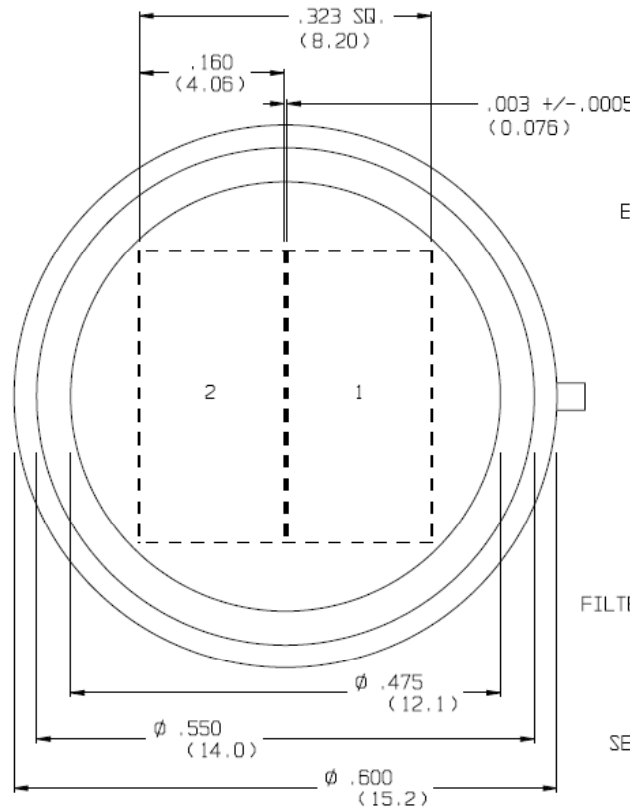


BOTTOM VIEW
(NO SCALE)



NOTES:

1. FILTER THICKNESS DEPENDENT ON TYPE. THIS MODEL ACCOMMODATES FILTERS .010 MIN. TO .055 MAX. THICK.
2. OBSERVE PRECAUTIONS FOR HANDLING ELECTROSTATIC SENSITIVE DEVICES.

PIN	DESIGNATION	PIN	DESIGNATION
1	N/C	7	N/C
2	N/C	8	N/C
3	ELEMENT 1	9	ELEMENT 2
4	N/C	10	N/C
5	N/C	11	N/C
6	N/C	12	CASE/GROUND

NOTICE: ELTEC INSTRUMENTS, INC. CLAIMS PROPRIETARY RIGHTS IN THE INFORMATION DISCLOSED ON THIS DRAWING. IT IS ISSUED IN CONFIDENCE FOR ENGINEERING INFORMATION ONLY AND MAY NOT, IN WHOLE OR IN PART, BE USED TO MANUFACTURE ANYTHING WHETHER OR NOT SHOWN HEREON, REPRODUCED OR DISCLOSED TO ANYONE WITHOUT DIRECT WRITTEN PERMISSION FROM ELTEC INSTRUMENTS, INC.

UNLESS OTHERWISE SPECIFIED

DIMENSIONS ARE IN INCHES (MM)

TOLERANCES

DECIMAL	FRACTIONAL
.XX = +/- .010	+/- 1/64
.XXX = +/- .005	ANGULAR +/- 1°

BREAK SHARP CORNERS

Eltec Instruments
Silverlight Ltd.
Glärnischstr. 59
CH-8712 Stäfa

MATERIAL		
FINISH		
DRAWN BY	BLW	11-13-08
CHECKED BY	LW	11-14-08
APPROVED BY	DD	11-14-08

TITLE: **MODEL 4206**

**DUAL ELEMENT
IR DETECTOR WITH
HEAT SINK**

SIZE	DWG. NO.	REV.
A	7800921	

FILE: 7800921.CKD SCALE: 5/1 SHEET 1 OF 1