

Model 407

Thermally Compensated Pyroelectric IR Detector



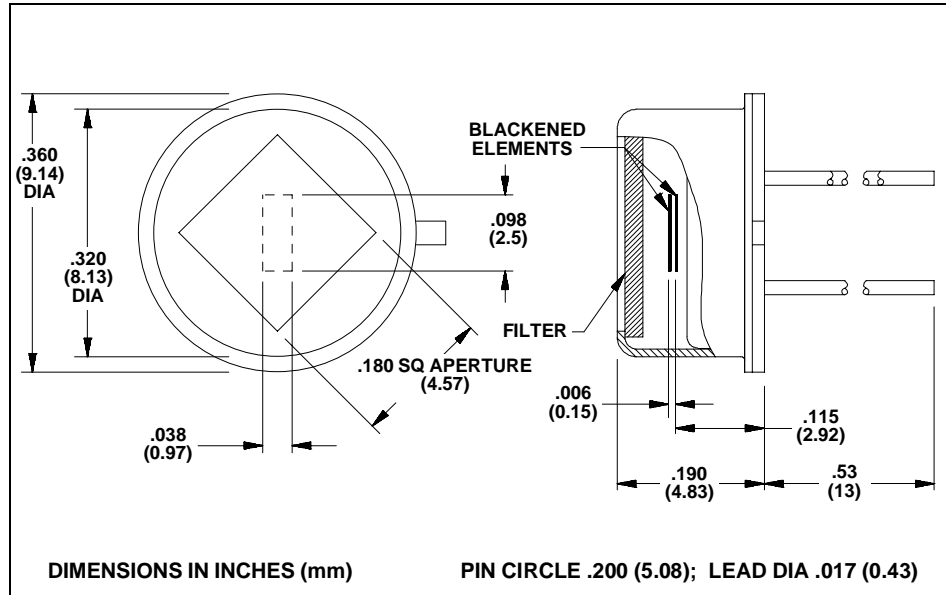
Manufactured under one or more of the following U.S. patents: 3,839,640 - 4,218,620 - 4,326,663 - 4,384,207 - 4,437,003 - 4,441,023 - 4,523,095

Model 407 consists of two lithium tantalate sensing elements, a load resistor and a JFET sealed into a TO-5 transistor package with an optical filter.

One centrally located sensing element is exposed to infrared radiation entering through the optical filter while the second element is shielded from outside radiation.

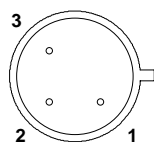
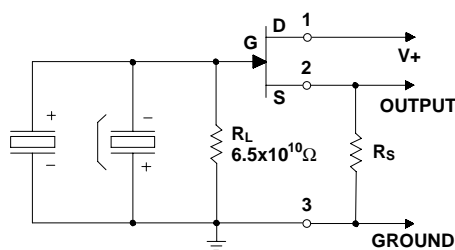
The sensing elements are connected electrically in a parallel opposed configuration for cancellation of signals generated by both crystals due to thermal changes in the housing environment.

A source resistor is required to set the drain current and the operating parameters of the JFET. A value of 47k Ω or greater is recommended.



Applications

- Industrial Control
- Object Counting
- Infrared Telescopes
- Robotics
- Motion Sensing
- Intruder Detection
- Conveyor Monitoring



PIN DESIGNATIONS

1. V+
2. OUTPUT
3. GND/CASE

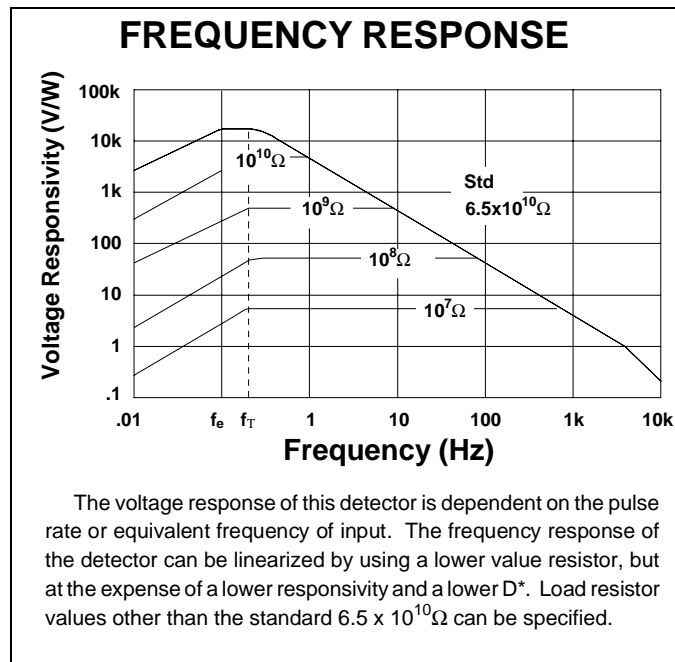
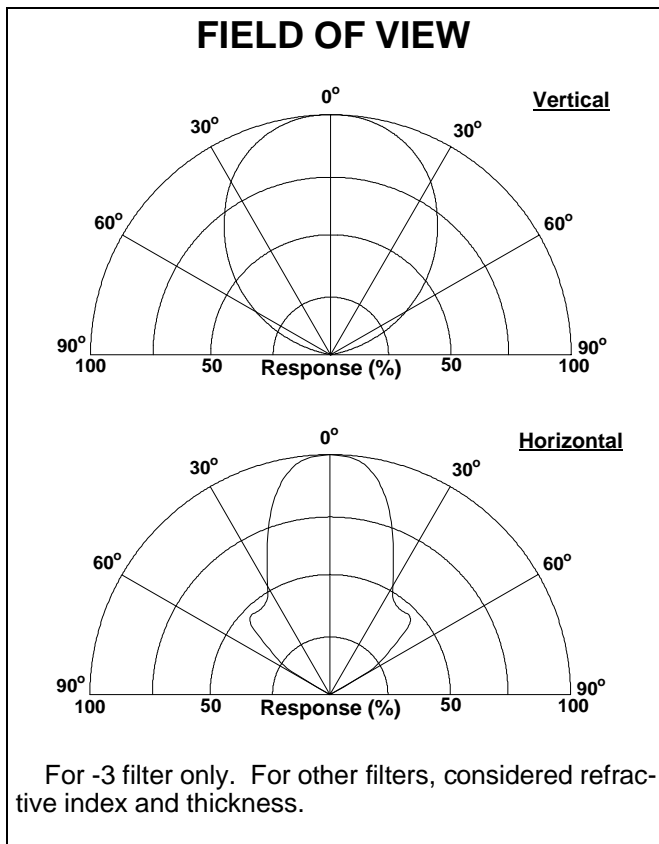
BOTTOM VIEW

Characteristics	407	Unit	Test Conditions	ELTEC data Reference
Detector Type	POD			
Element Size ¹	1.0 x 2.5	mm, each		
Optical Bandwidth	0.1 to 1,000	μm	Various Filters	101
Responsivity (typ)	2,000	V/W	8 to 14 μm , 1Hz	
Noise (typ)	2.0	$\mu\text{Vrms}/\sqrt{\text{Hz}}$	1 Hz, 1 Hz BW	
NEP (typ)	1.0×10^{-9}	$\text{W}/\sqrt{\text{Hz}}$	8 to 14 μm , 1 Hz, 1 Hz BW	100
D* (typ)	1.5×10^8	$\text{cm}\sqrt{\text{Hz}}/\text{W}$	8 to 14 μm , 1Hz, 1 Hz BW	100
Operating Voltage (min) (max)	3 15	VDC	V+ to Gnd	104 (4.1.c)
Operating Current (min) (max)	3 12	μA	$R_S = 100\text{k}\Omega$	104 (4.1.c)
Offset Voltage (min) (max)	0.3 1.2	V	$R_S = 100\text{k}\Omega$	106 Section B
Output Impedance	$<R_S$	Ω		
Thermal Breakpoint f_T (typ)	0.2	Hz		102
Electrical Breakpoint f_e (typ)	0.1	Hz	$R_L = 6.5 \times 10^{10}\Omega$	102
Recommended Operating Temperature	-10 to +50	$^{\circ}\text{C}$	Functional	
Storage Temperature	-55 to +125	$^{\circ}\text{C}$	$\Delta T < 50^{\circ}\text{C}/\text{min}$	
Output Protection	Do not exceed a maximum drain current of 50 μA			

Characteristics at 25 $^{\circ}\text{C}$, with -3 filter, V+ = 5 VDC, $R_S = 100\text{k}\Omega$ unless otherwise stated.

Data is established on a sample basis and is believed to be representative.

¹Dual elements, over under configuration with 1 element shielded from incident light.



For best results, the following precautions and recommendations should be observed. (See ELTECdata #101):

Mounting: Avoid mechanical stresses on case and leads.

Soldering: Detectors must be hand soldered to minimize the chance of destroying the internal components. Avoid machine or hot air soldering. Leave a minimum lead length of .250 inch (6.35mm). When soldering to detector leads, use a heat sink between the case and leads. Beware that the new RoHS compliant solders require a higher soldering temperature making heat sinking the detector extremely important.

Static Discharge: Protect detectors from electro-static charges.

Thermal Shock: Temperature changes and rate of change must be kept to a minimum (<50C°/min.) to prevent damage.

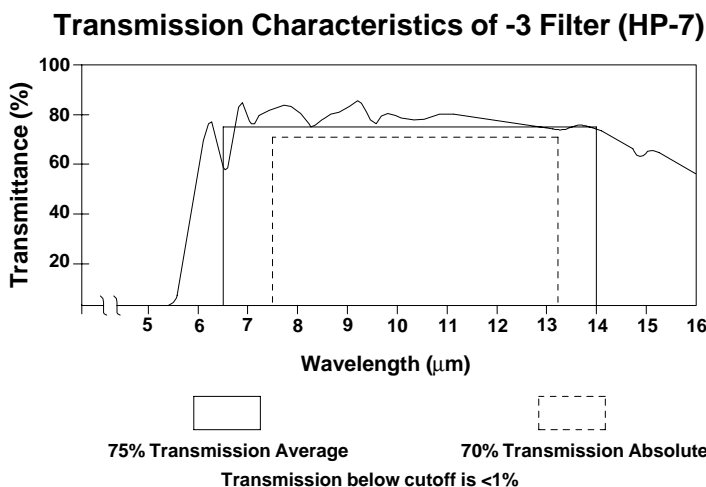
Noise: As a resolution or lower information limit, noise is established not only by the detector. Other noise sources are:

- Radiated and conducted RF signals
- Subsequent amplification or signal conditioning stages
- Power supply noise
- Components, such as high value resistors and capacitors (tantalum and aluminum electrolytic)
- Mechanical contacts and weak solder joints
- Shock and vibration excited microphonics
- Outside thermal influences on the detector other than the desired infrared input, i.e. drafts. (The Model 407 is less sensitive to drafts than single element detectors)

All of these noise sources should be considered carefully when the information signal is <1mV.

Light Leakage: Slight sensitivity to visible light leaking through the glass-to-metal seal on the base may be observed.

Optical Design: Use of a detector with a filter in an optical system may require consideration of the image displacement toward the filter. This displacement (s) caused by the insertion of a planoparallel plate (filter thickness = t; refractive index = N) is given by $s = (t/N)(N-1)$.



For information on other standard filters available, refer to ELTECdata # 101.

NOTICE: The information provided herein is believed to be reliable. However, ELTEC Instruments, Inc. assumes no responsibility for inaccuracies or omissions. Due to industry components being incorporated into ELTEC's devices and ELTEC continually striving for product improvement, specifications may change without notice.

Worldwide Eltec Product Distribution and Free Technical Support:



Silverlight Ltd., Glaernischstr. 59, CH-8712 Staefa, Switzerland

Tel.+41 44 926 4362 Fax +41 44 926 6131 info@silverlight.ch

Online Product Orders and Datasheet Library on <http://www.eltec.ch>