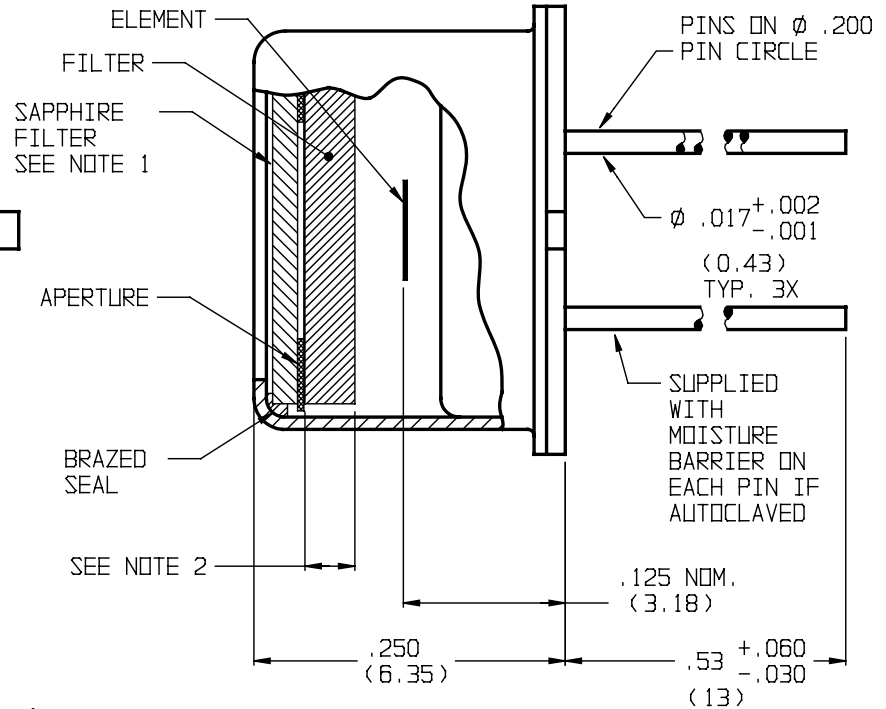
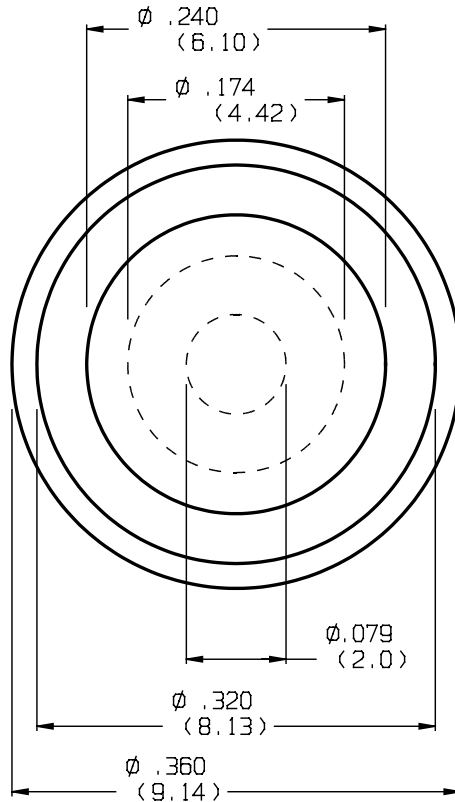


BOTTOM VIEW  
(NO SCALE)



NOTES:

1. SAPPHIRE AND CAN HAVE BRAZED SEAL.
2. FILTER THICKNESS DEPENDENT ON TYPE, THIS MODEL ACCOMMODATES FILTERS .010 MIN. TO .075 MAX. THICK.
3. OBSERVE PRECAUTIONS FOR HANDLING ELECTROSTATIC SENSITIVE DEVICES.

PIN	DESIGNATION
1	V+
2	OUTPUT
3	CASE/GROUND

REV	ECN	DATE	DESCRIPTION	BY	CHK
A	1866	12-4-06	ADD NOTE ABOUT MOISTURE BARRIERS	BLW	DD

**NOTICE:** ELTEC INSTRUMENTS, INC. CLAIMS PROPRIETARY RIGHTS IN THE INFORMATION DISCLOSED ON THIS DRAWING. IT IS ISSUED IN CONFIDENCE FOR ENGINEERING INFORMATION ONLY AND MAY NOT, IN WHOLE OR IN PART, BE USED TO MANUFACTURE ANYTHING WHETHER OR NOT SHOWN HEREON, REPRODUCED OR DISCLOSED TO ANYONE WITHOUT DIRECT WRITTEN PERMISSION FROM ELTEC INSTRUMENTS, INC.

UNLESS OTHERWISE SPECIFIED

DIMENSIONS ARE IN INCHES (MM)

TOLERANCES

DECIMAL	FRACTIONAL
.XX = +/- .010	+/- 1/64
.XXX = +/- .005	ANGULAR +/- 1°

BREAK SHARP CORNERS

**ELTEC**  
Silverlight Ltd. Switzerland  
Glärnischstr. 59, CH-8712 Stäfa  
info@silverlight.ch www.eltec.ch

**MODEL 406MBN**  
**SINGLE ELEMENT**  
**PYROELECTRIC IR DETECTOR**  
**WITH JFET AMPLIFIER**

REV.	DESCRIPTION	DATE	BY	CHK
A	7800808	12-11-00	BLW	DD
		12-12-00	DD	
		12-12-00	LC	