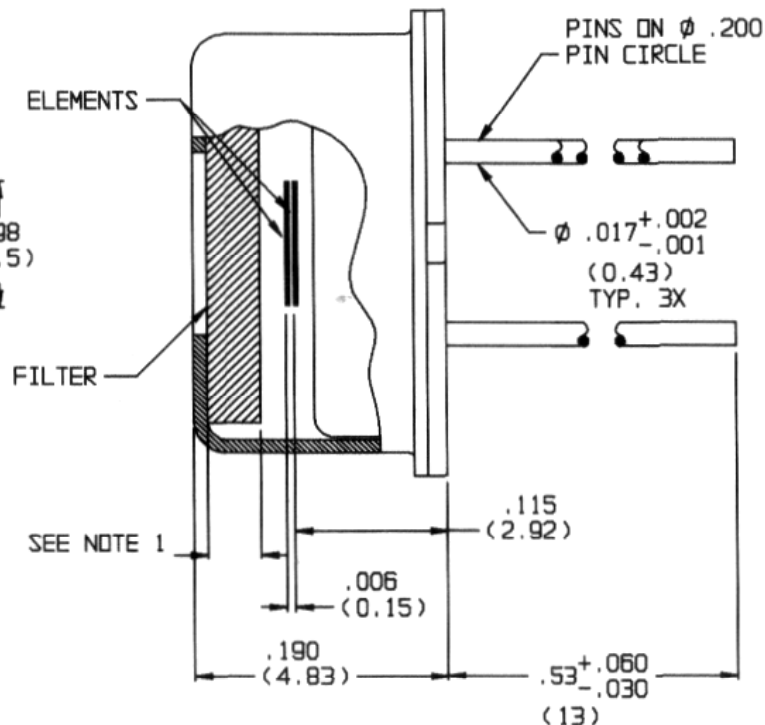
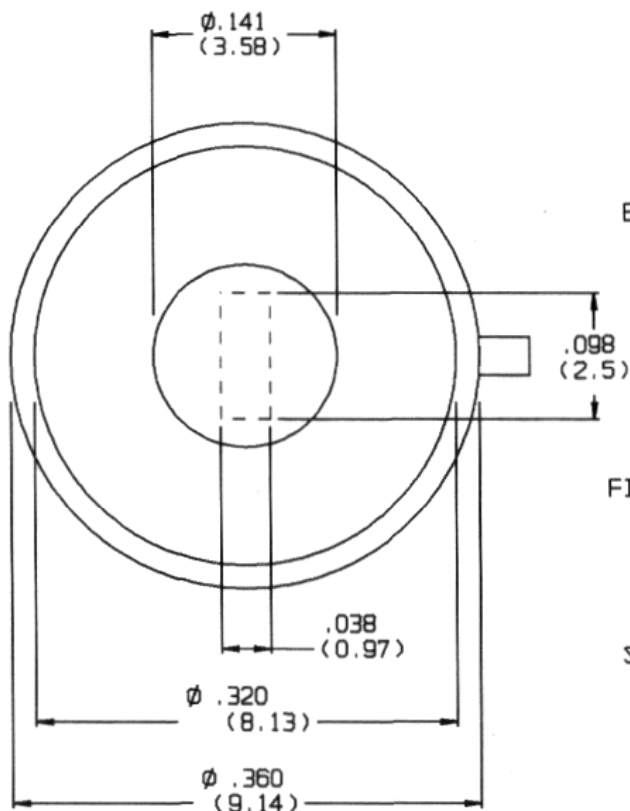


BOTTOM VIEW
(NO SCALE)



NOTES:

1. FILTER THICKNESS DEPENDENT ON TYPE, THIS MODEL ACCOMMODATES FILTERS .010 MIN TO .045 MAX THICK.
2. OBSERVE PRECAUTIONS FOR HANDLING ELECTROSTATIC SENSITIVE DEVICES.

PIN	DESIGNATION
1	V+
2	OUTPUT
3	COMMON

REV	ECN	DATE	DESCRIPTION	BY	CHK
A	1752	1-10-07	SHOW NEW TAB LENGTH, UPDATE mm CONVERSIONS & TO NEW FORMAT	BLW	DD

NOTICE: ELTEC INSTRUMENTS, INC. CLAIMS PROPRIETARY RIGHTS IN THE INFORMATION DISCLOSED ON THIS DRAWING. IT IS ISSUED IN CONFIDENCE FOR ENGINEERING INFORMATION ONLY AND MAY NOT, IN WHOLE OR IN PART, BE USED TO MANUFACTURE ANYTHING WHETHER OR NOT SHOWN HEREON, REPRODUCED OR DISCLOSED TO ANYONE WITHOUT DIRECT WRITTEN PERMISSION FROM ELTEC INSTRUMENTS, INC.

UNLESS OTHERWISE SPECIFIED
DIMENSIONS ARE IN INCHES (MM)
TOLERANCES
DECIMAL
.XX = +/- .010
.XXX = +/- .005
FRACTIONAL
+/- 1/64
ANGULAR
+/- 1°
BREAK SHARP CORNERS

Eltec Instruments
Silverlight Ltd.
Glärnischstr. 59
CH-8712 Stäfa

TITLE:
MODEL 405M22
THERMALLY COMPENSATED
PYROELECTRIC IR
DETECTOR OUTLINE

MATERIAL	FINISH	DRAWN BY	RD	8-31-04	SIZE	DMG. NO.	7800876	REV.	A
		CHECKED BY	LW	8-31-04	A				
		APPROVED BY	DD	9-1-04		FILE: 7800876a.CKD	SCALE: 6.5/1	SHEET 1	OF 1